

Trave a parete ad una via - 1 anta

Wall bar single track - 1 wing - faisceau mural à une voie - 1 vantail

$H_{\text{pannello}} = H_{\text{luce passaggio}} - 2,5 \text{ mm}$

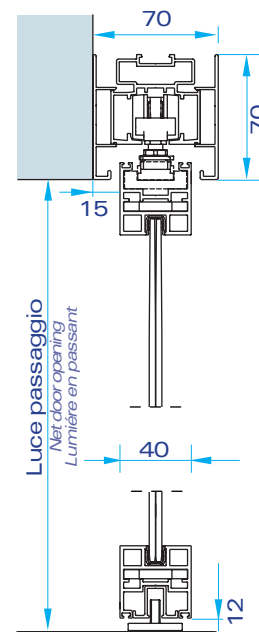
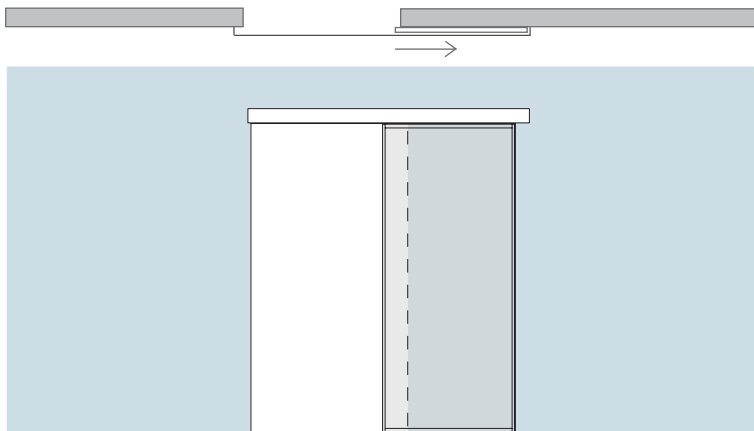
$H_{\text{panel}} = H_{\text{net door opening}} - 2,5 \text{ mm}$ / $H_{\text{panneau}} = H_{\text{lumière en passant}} - 2,5 \text{ mm}$

$L_{\text{pannello}} = L_{\text{luce passaggio}} + 32 \text{ mm}$

$W_{\text{panel}} = W_{\text{net door opening}} + 32 \text{ mm}$ / $L_{\text{panel}} = L_{\text{lumière en passant}} + 32 \text{ mm}$

$L_{\text{trave}} = (L_{\text{luce passaggio}} \times 2) + 68 \text{ mm}$

$W_{\text{bar}} = (W_{\text{net door opening}} \times 2) + 68 \text{ mm}$ / $L_{\text{faisceau}} = (L_{\text{lumière en passant}} \times 2) + 68 \text{ mm}$



Trave a parete ad una via - 2 ante

Wall bar single track - 2 wings - faisceau mural à une voie - 2 vantaux

$H_{\text{pannello}} = H_{\text{luce passaggio}} - 2,5 \text{ mm}$

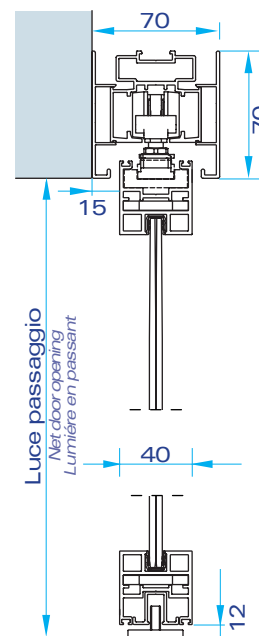
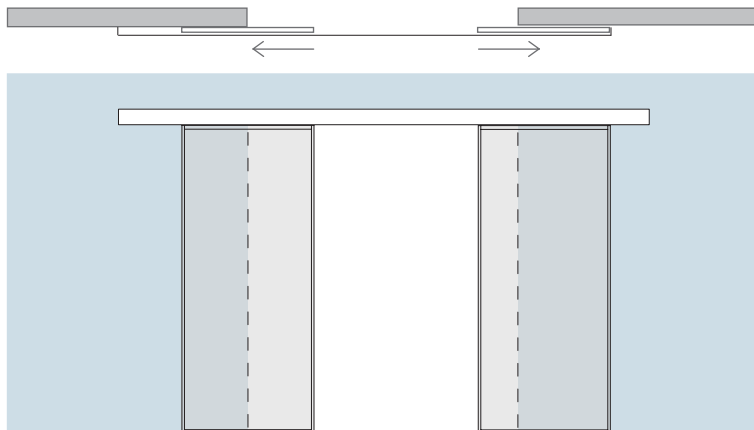
$H_{\text{panel}} = H_{\text{net door opening}} - 2,5 \text{ mm}$ / $H_{\text{panneau}} = H_{\text{lumière en passant}} + 2,5 \text{ mm}$

$L_{\text{pannello}} = (L_{\text{luce passaggio}} / 2) + 15 \text{ mm}$

$W_{\text{panel}} = (W_{\text{net door opening}} / 2) + 15 \text{ mm}$ / $L_{\text{panel}} = L_{\text{lumière en passant}} + 1,5 \text{ mm}$

$L_{\text{trave}} = (L_{\text{luce passaggio}} \times 2) + 50 \text{ mm}$

$W_{\text{bar}} = (W_{\text{net door opening}} \times 2) + 50 \text{ mm}$ / $L_{\text{faisceau}} = (L_{\text{lumière en passant}} \times 2) + 50 \text{ mm}$



Trave a parete a 2 vie - 2 ante

Wall bar double track - 2 wings - faisceau mural à deux voies - 2 vantaux

H pannello = H luce passaggio - 2,5 mm

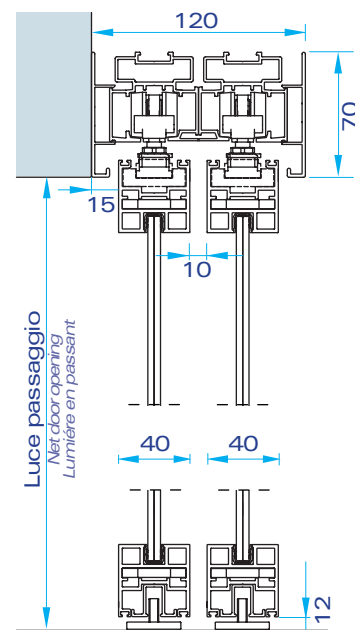
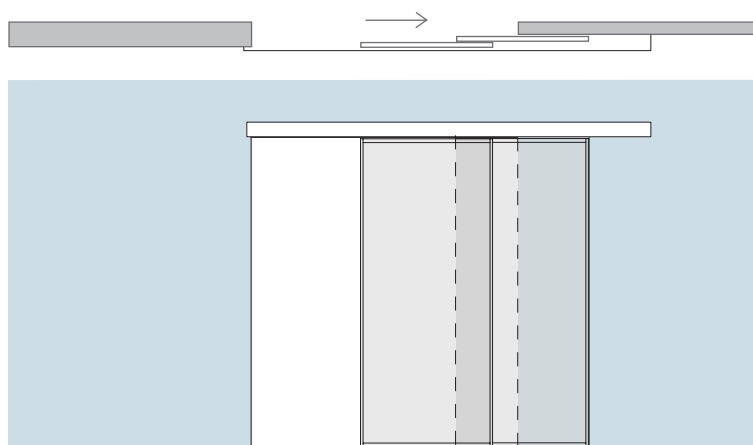
$H_{panel} = H_{net\ door\ opening} - 2,5\ mm$ _ $H_{panneau} = H_{lumière\ en\ passant} - 2,5\ mm$

L pannello = (L luce passaggio / 2) + 24 mm

$W_{panel} = (W_{net\ door\ opening} / 2) + 24\ mm$ _ $L_{panel} = (L_{lumière\ en\ passant} / 2) + 24\ mm$

L trave = (L luce passaggio x 1,5) + 60 mm

$W_{bar} = (W_{net\ door\ opening} \times 1,5) + 60\ mm$ _ $L_{faisceau} = (L_{lumière\ en\ passant} \times 1,5) + 60\ mm$



Trave a soffitto ad 2 vie - 2 ante

Ceiling bar double tracks - 2 wings - faisceau plafond à deux voies - 2 vantaux

H pannello = H luce passaggio - 2,5 mm

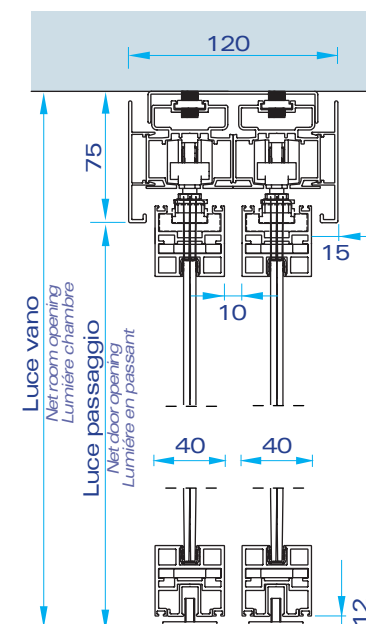
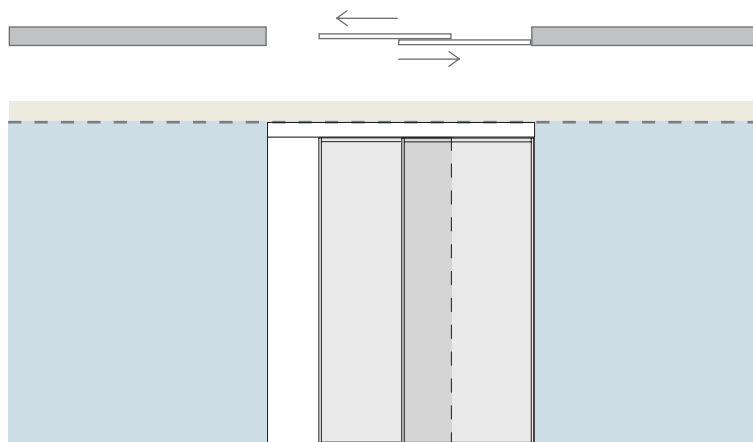
$H_{panel} = H_{net\ door\ opening} - 2,5\ mm$ _ $H_{panneau} = H_{lumière\ en\ passant} - 2,5\ mm$

L pannello = (L luce passaggio / 2) + 5 mm

$W_{panel} = (W_{net\ door\ opening} / 2) + 5\ mm$ _ $L_{panel} = (L_{lumière\ en\ passant} / 2) + 5\ mm$

L trave = L vano

$W_{bar} = W_{net\ room\ opening}$ _ $L_{faisceau} = L_{lumière\ chambre}$



Trave a soffitto a 2 vie - 4 ante

Ceiling bar double tracks - 4 wings - faisceau plafond à deux voie - 4 vantaux

H pannello = H luce passaggio - 2,5 mm

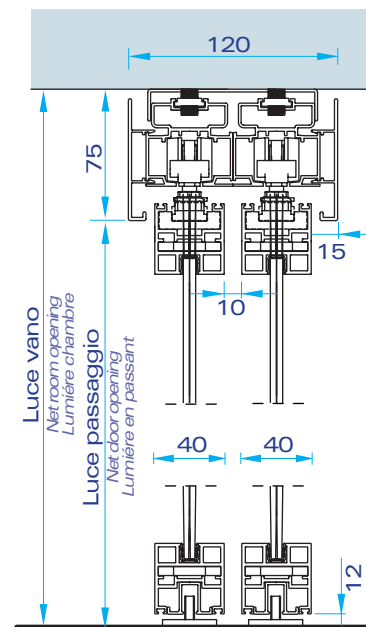
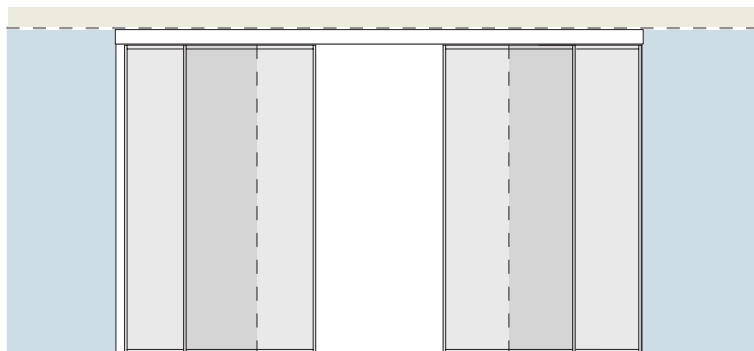
$H_{panel} = H_{net\ door\ opening} - 2,5\ mm$ / $H_{panneau} = H_{lumière\ en\ passant} - 2,5\ mm$

L pannello = (L luce passaggio / 4) + 5 mm

$W_{panel} = (W_{net\ door\ opening} / 4) + 5\ mm$ / $L_{panel} = (L_{lumière\ en\ passant} / 4) + 5\ mm$

L trave = L vano

$W_{bar} = W_{net\ room\ opening} - L_{faisceau} = L_{lumière\ chambre}$



Trave a soffitto a 2 vie - 3 ante

Ceiling bar double tracks - 3 wings - faisceau plafond à deux voie - 3 vantaux

H pannello = H luce passaggio - 2,5 mm

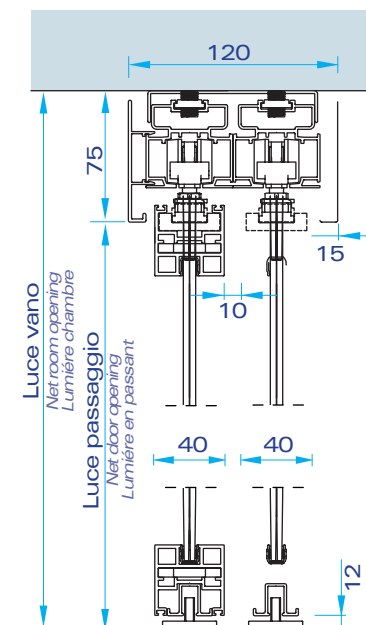
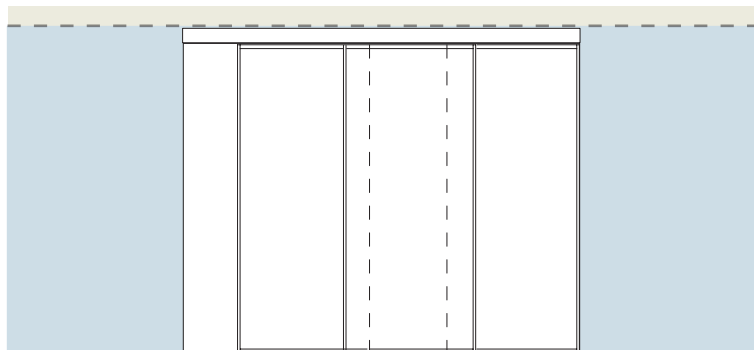
$H_{panel} = H_{net\ door\ opening} - 2,5\ mm$ / $H_{panneau} = H_{lumière\ en\ passant} - 2,5\ mm$

L pannello = (L luce passaggio / 3) + 10 mm

$W_{panel} = (W_{net\ door\ opening} / 3) + 10\ mm$ / $L_{panel} = (L_{lumière\ en\ passant} / 3) + 10\ mm$

L trave = L vano

$W_{bar} = W_{net\ room\ opening} - L_{faisceau} = L_{lumière\ chambre}$



Trave a soffitto a 3 vie - 3 ante

Ceiling bar three tracks - 3 wings - faisceau plafond à trois voie - 3 vantaux

H pannello = H luce passaggio - 2,5 mm

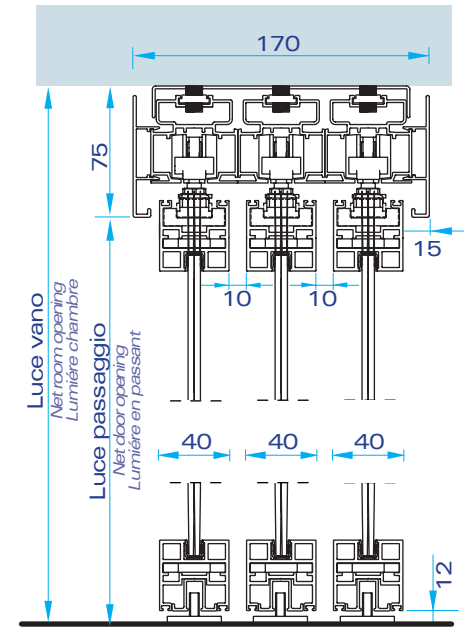
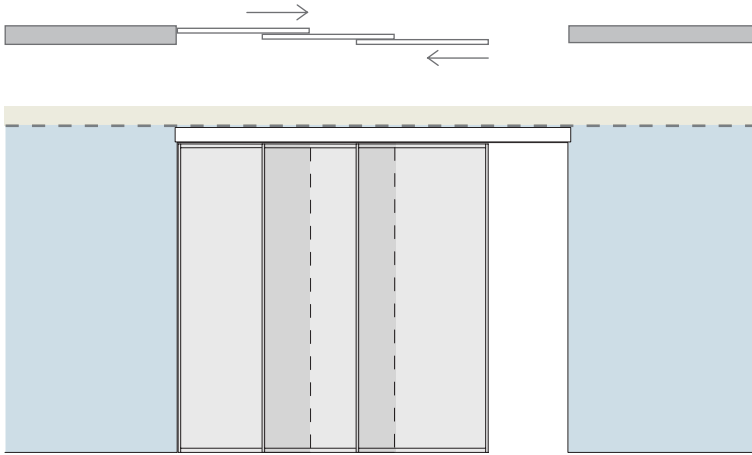
H panel = H net door opening - 2,5 mm _ H panneau = H lumière en passant - 2,5 mm

L pannello = (L luce passaggio / 3) + 10 mm

W panel = (W net door opening / 3) + 10 mm _ L panel = (L lumière en passant / 3) + 10 mm

L trave = L vano

W bar = W net room opening _ L faisceau = L lumière chambre



Trave a soffitto a 4 vie - 4 ante

Ceiling bar four tracks - 4 wings - faisceau plafond à quatre voie - 4 vantaux

H pannello = H luce passaggio - 2,5 mm

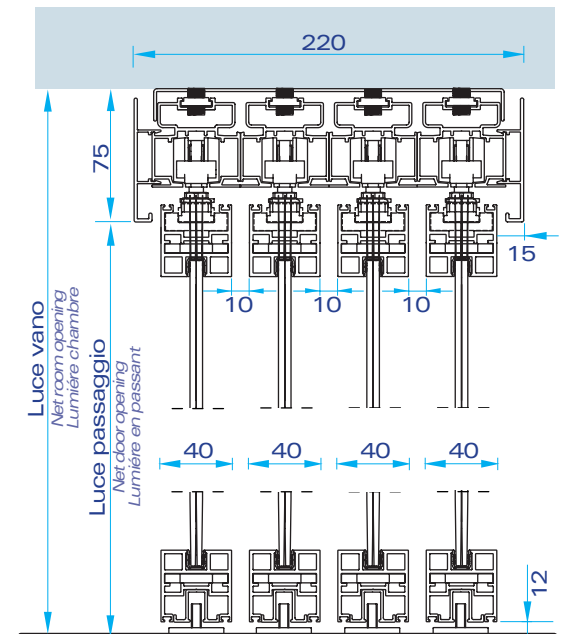
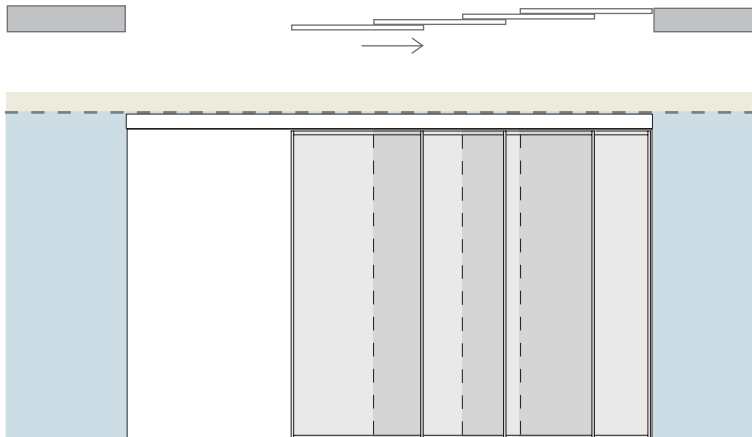
H panel = H net door opening - 2,5 mm _ H panneau = H lumière en passant - 2,5 mm

L pannello = (L luce passaggio / 4) + 5 mm

W panel = (W net door opening / 4) + 5 mm _ L panel = (L lumière en passant / 4) + 5 mm

L trave = L vano

W bar = W net room opening _ L faisceau = L lumière chambre



Trave a sospensione ad una via

Hanging bar single track - faisceau pendant une voie

H pannello = H luce passaggio - 22 mm

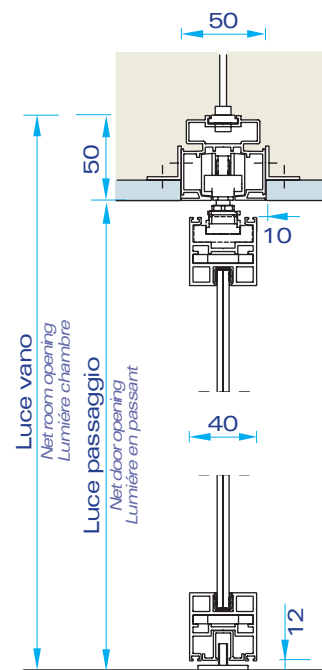
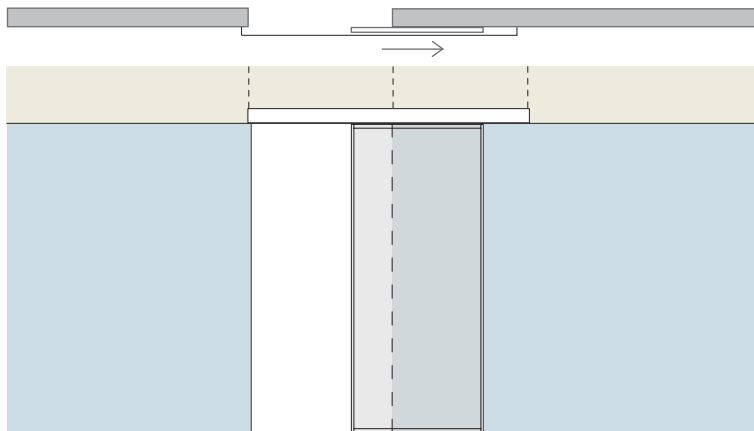
H panel = H net door opening - 22 mm _ H panneau = H lumière en passant - 22 mm

L pannello = L luce passaggio + 32 mm

W panel = W net door opening + 32 mm _ L panel = L lumière en passant + 32 mm

L trave = (L vano x 2) + 68 mm

W panel = (W net room opening x 2) + 68 mm _ L panel = (L lumière chambre x 2) + 68 mm



Trave a sospensione a 2 vie

Hanging bar double track - faisceau pendant deux voies

H pannello = H vano - 22 mm

H panel = H net door opening - 22 mm _ H panneau = H lumière en passant - 22 mm

L pannello = (L luce passaggio x 2) + 5 mm

W panel = (W net door opening x 2) + 5 mm _ L panel = (L lumière en passant x 2) + 5 mm

L trave = L luce passaggio

W panel = W net door opening _ L panel = L lumière en passant

